

GSHV Gold Series® High Vacuum Dust Collector for High Pressure/Vacuum Applications



High Vacuum Dust Collector can be used in applications up to 17 in Hg or 8 psi positive pressure. Common applications include central vacuum systems, positive or negative product receivers and high pressure bin vents.

Standard Features & Benefits —

- Heavy duty 10 and 7 gauge construction
- Vessel strength: 17 in Hg vacuum, 8 psi positive pressure (without explosion vent)
- Flanged, tangential inlet minimizes dust contacting the filters
- Two models available:
 - GS2HV (2-cartridge design)
 - GS4HV (4-cartridge design)
- Can be configured as a stand-alone dust collector or without hopper and support structure for bin vent applications
- Pulse-cleaning system includes field-mountable, solid state control panel

Options —

- Horizontal explosion vent
- Bag-in bag-out filter access door for pharmaceutical/hazardous dusts
- Continuous liner discharge for pharmaceutical/hazardous dusts
- Discharge collection devices such as a 55-gallon drum or self-dumping hopper.

HemiPleat® Gold Cone™ Filter Cartridge

Gold Cone™ Double Seal
Pour-In-Place Urethane Gasket

Factory Bonded Steel
Top and Bottom Headers

Exclusive Gold Cone™
Technology

Separator Bead
Ensures Uniform Pleat
Spacing of Media



Camfil Farr APC	Product Sheet
GSHV Gold Series® High Vacuum	
SAFE AIR FOR A SAFE WORK ENVIRONMENT	

Safety & Protection

Optional bag-in bag-out (BIBO) filter access door for pharmaceutical/hazardous dusts



Stainless Steel High Vacuum (HV) Gold Series® GS4HV 4 Cartridges



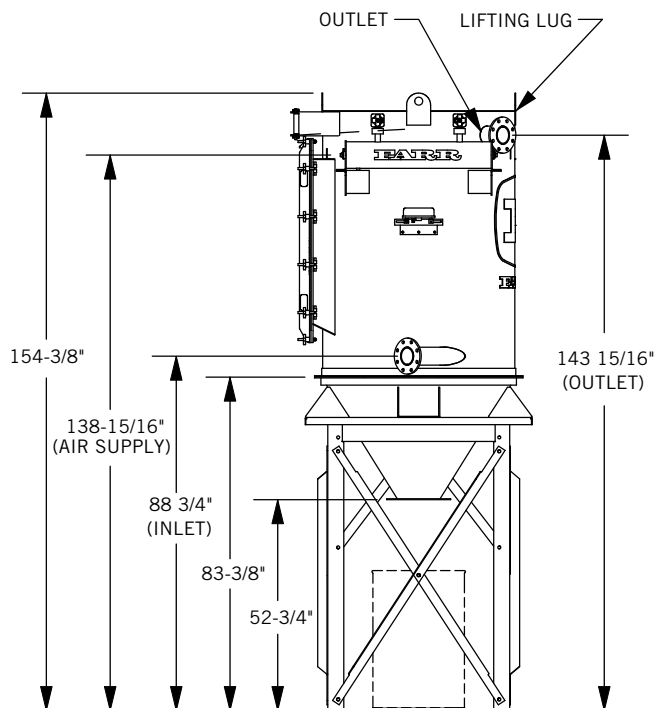
Pulse cleaning system

Heavy duty tank head

Cyclonic tangential inlet

Optional continuous liner discharge for pharmaceutical/hazardous dusts

GSHV shown with optional BIBO door and continuous liner discharge.



3505 Airport Rd. • Jonesboro, AR 72401 • 870-933-8048 • Fax: 870-933-8380
 www.farrapc.com • e-mail: filterman@farrapc.com • 800-479-6801

Visit www.camfilfarrapc.com for offices out of North America.



SAFE AIR FOR A SAFE WORK ENVIRONMENT

011910